

Easy to install
flexible and fully
re-configurable



Fireclamp Pillows

Firebreak Bags comprise a range of different sized coated glass cloth bags filled with a blend of durable intumescent and inert fillers. They are designed to be installed around services in penetrating fire resistant walls to provide either a temporary or permanent fire seal of up to 120 minutes.

Description

Fireclamp Pillows are fire penetration seals appearing like cushions which are compressible and friction fitted around complex penetrations in fire resisting flexible and masonry walls at least 100mm thick. They are used as permanent or temporary fire protection in openings up to 600mm x 600mm and around penetrations such as cable trays and electric cables.

Fireclamp Pillows are especially useful where frequent re-routing or retro-fitting of services is expected.

Fireclamp Pillows are made of a stitched, treated glass cloth containing a mixture of inert inorganic material and intumescent composite. These highly durable products are installed by compressing and stacking into openings up to 600 x 600mm and do not require the use of 'wet' products such as coatings, sealants or putties. No additional support is required.

Available sizes

Three sizes are available with the following nominal dimensions (length x width x height):

Large 300 x 180 x 45mm



Medium 300 x 180 x 25mm



Small 300 x 75 x 20mm



Performance

Fireclamp Pillows are approved for use in both flexible partition walls and in masonry and concrete constructions

- Required minimum thickness of the wall is just 100mm
- Fire Classification to EN 13501-2 and CE Mark (ETA T1/0151)
- Third party product certification with UL International (Certificate # UL-EU-01027)



fireclamp®

Fireclamp Pillows in partitions or masonry/concrete walls of 100mm minimum thickness

Penetrating service	Fire performance (minutes)	
	Integrity (E)	Integrity & insulation (EI)
Electrical cables up to 80mm diameter, single or in bundles	E 90	EI 30
Unsheathed electrical wires up to 24mm diameter	E 90	EI 90
Telecom cables up to 21mm diameter, single or in bundles up to 100mm diameter	E 90	EI 90
Type* D3, C2 and B electrical cables, single or in bundles	E 90	EI 60
Type* D2, D1, C3, C1, A2 and A1 electrical cables, single or in bundles	E 90	EI 90
Steel cable trays and ladders up to 500mm wide	E 90	EI 90

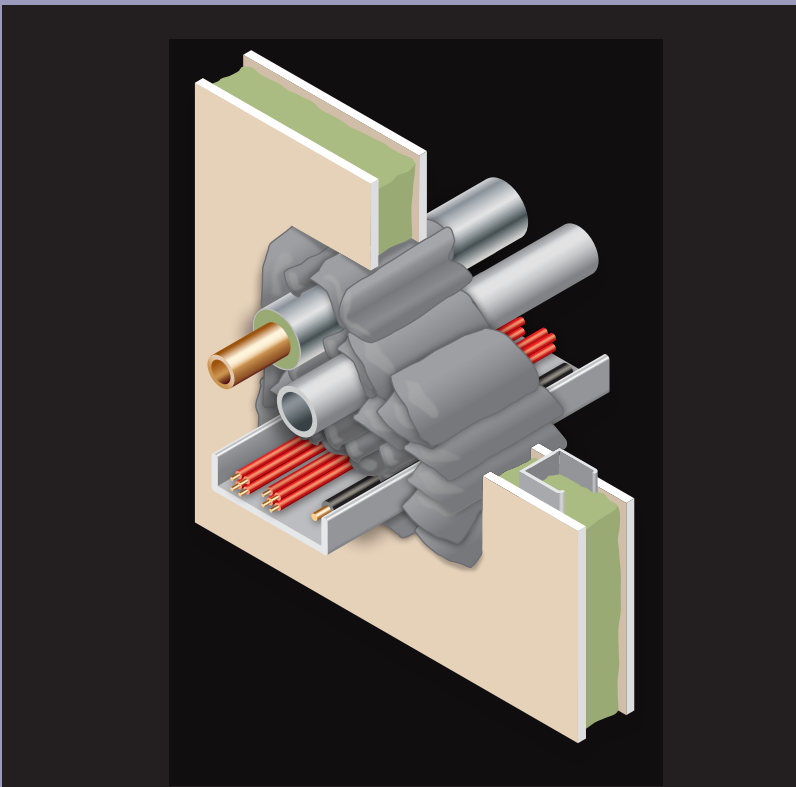
Fireclamp Pillows in partitions or masonry/concrete walls of 100mm minimum thickness + 300mm wide 'Insulwrap'***

Penetrating service	Fire performance (minutes)	
	Integrity (E)	Integrity & insulation (EI)
Electrical cables up to 80mm diameter, single or in bundles	E 120	EI 90
Unsheathed electrical wires up to 24mm diameter	E 120	EI 90
Telecom cables up to 21mm diameter, single or in bundles up to 100mm diameter	E 120	EI 120
Type* D3, C2 and B electrical cables, single or in bundles	E 120	EI 120
Type* D2, D1, C3, C1, A2 and A1 electrical cables, single or in bundles	E 120	EI 120
Steel cable trays and ladders up to 500mm wide	E 120	EI 120

*Cables as referenced in EN 1366-3: 2009, Annex C, Figure C.2-A

**Insulwrap is a 300mm wide x 5mm thick foil faced insulating wrap. It is fixed around the services on both sides of a seal in a single layer to increase the fire performance of the seal.

Wall installation



Installation

- Ensure surfaces of the opening are free from dirt, loose particles, oils, grease and corrosive materials
- Openings in insulated plasterboard partitions do not require to be framed out with studs
- Check that all penetrating services are independently supported
- Shake each bag to evenly distribute the fill material before use
- Use small bags to seal inside all electrical trunking, positioned in the same plane as the eventual installed seal and refit trunking lids
- Starting at the bottom of the opening, stack the bags centrally within the depth of the opening in a brick bonding style filling around and between the services to form a 300mm deep seal
- Use smaller sized bags as appropriate to close all gaps
- Compact the bags by hand as the work proceeds to ensure a tight fit around all the penetrations
- When complete the seal should form a tight fit within the opening and around and between all penetrating services with no visible voids

Note: Large openings may be reduced in size using Fireclamp Compound.

Supply and packaging

Item & article number	Nominal size	Quantity	Blank seal requirement
	Length x width x height	Bags per box	Approximate usage
Firebreak Bag - FBBL65	300 x 180 x 45mm	10	100/m ²
Firebreak Bag - FBBM50	300 x 180 x 25mm	15	150/m ²
Firebreak Bag - FBBS30	300 x 75 x 20mm	50	As needed to fill gaps

Modifications

- Determine which services are to be removed and/or where new services are to be added
- Beginning at the top, carefully unstack the bags as necessary for access placing to one side for reuse
- Make the changes to the penetrating services as required
- Reseal the opening using the bags which have been removed and if necessary additional Bags following the above installation guidance.

End use conditions

Whilst Fireclamp Pillows are intended for internal use, the coated woven glass fabric and durable intumescent and inert fillers are all resistant to the effects of moisture. The bags are also suitable for use at temperatures below 0°C.

Maintenance

No routine maintenance is required although periodic inspection for possible damage is recommended.

Storage

It is recommended to store in dry conditions between 5°C and 40°C.

Shelf life

Shelf life is unlimited when stored under recommended storage conditions.

Health and safety

Please refer to safety data sheet before use.

fireclamp®

Abesco Fire Limited
Alma Place
Laurencekirk
Aberdeenshire
AB30 1AL
Scotland
United Kingdom

TELEPHONE
+44 (0) 1561 377 766
FAX
+44 (0) 1561 378 887

sales@abesco.net
www.abesco.net

Since the product is applied under circumstances beyond our control, Abesco Fire Limited can accept no direct or consequential liability whether in contract or in tort, for the interpretations of such recommendations and reserves the right to modify the recommendations as necessary.

